

Manual

RS-232 / APN Dongle

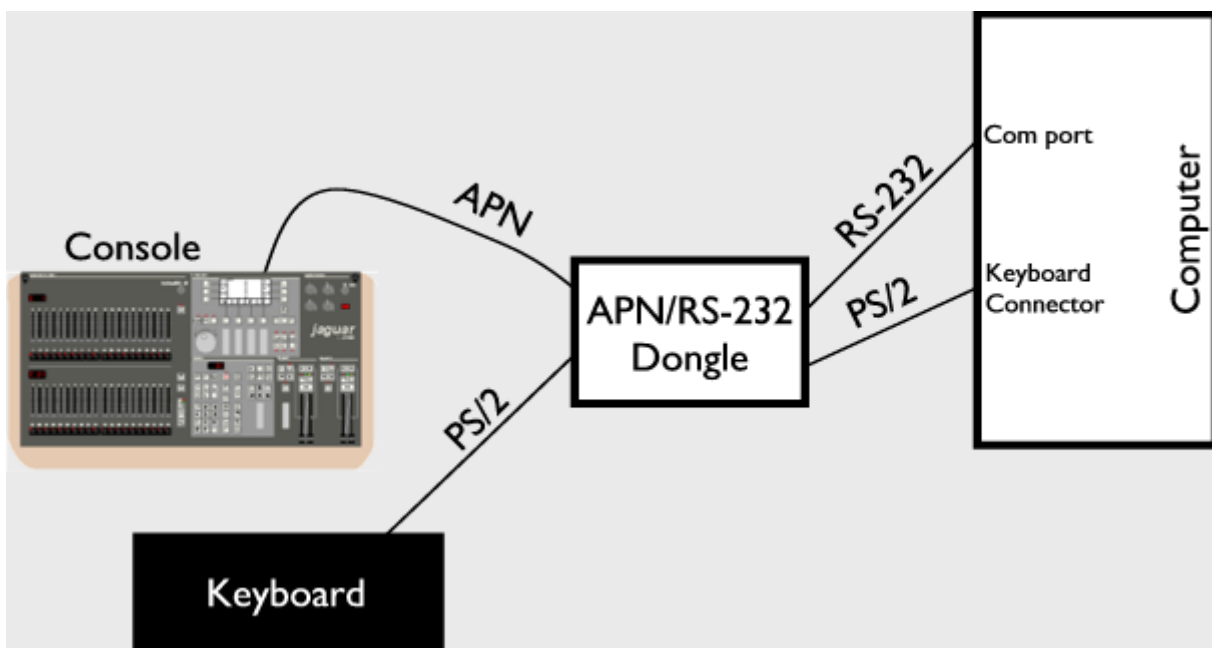


Installing RS-232/APN Dongle

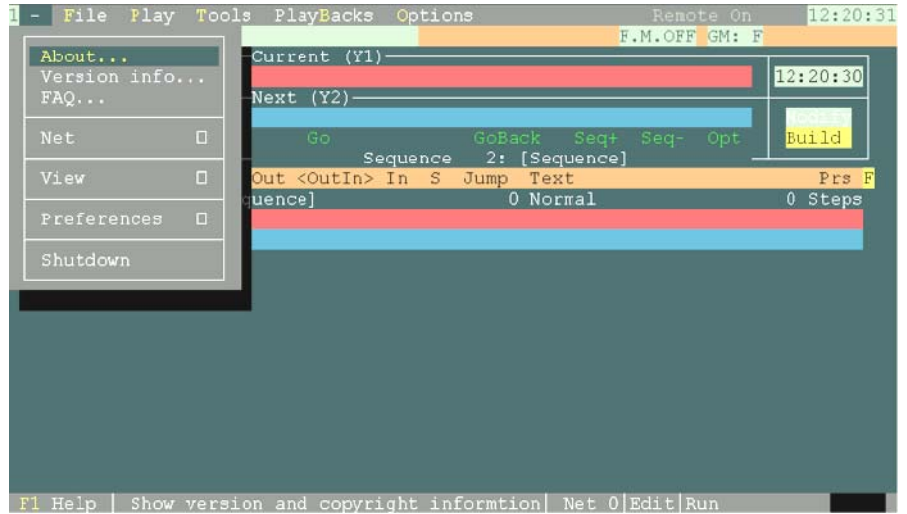
Requirements:

Safari 3.0 or newer
PS/2 keyboard connector
RS-232 Serial port

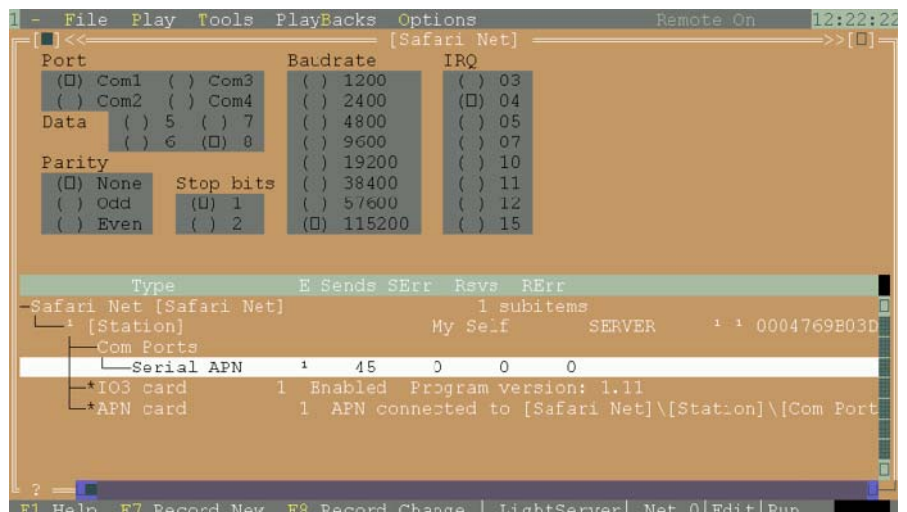
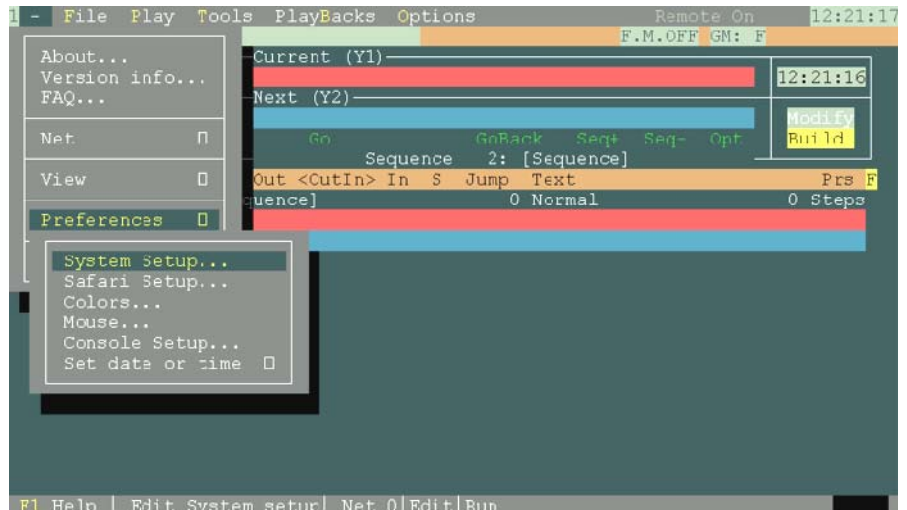
- Turn off your computer.
- Connect the PS/2 connector from the computers keyboard or mouse port to the RS-232/APN dongle connector marked PS/2 IN.
Standard Mini-Din-6-M to Standard Mini-Din-6-M. This is the power supply connection and keyboard right throe.
- Connect the Dsub-9 connector marked RS-232 from the RS-232/APN dongle to the serial port (COM1 or COM2) of the computer.
Full-pinned Dsub-9-M to Dsub-9-F cable.
- Connect the RJ-45 connector marked APN to the console or APN push button panels APN connector.
With a standard RJ-45 Cat5 Ethernet cable.
- If you need to have a keyboard or mouse connected to the PS/2 connector of your computer just connect it to the PS/2 out connector of the RS-232/APN dongle. This connector is the same as the PS/2 in.



- In Safari-3, open System setup window.
- Open the upper part of this window with the **Open Object Editor** command in the Local Menu.
- Press **Insert** to insert a new piece of hardware.
- Select **COM ports**.
- Press **Shift-Insert** to insert a device on the Com port.
- Select Serial APN.
- Check that the right COM (COM1 or COM2) port and baudrate is selected in the upper part of the window.



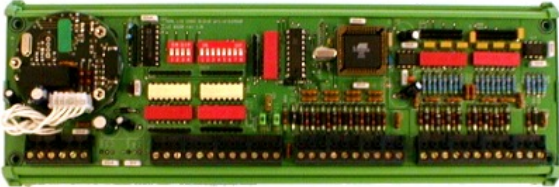
- Save the System setup with the **Store System Setup** command in the local menu.
- Restart the system.



AVAB APN products that is available from your dealer:

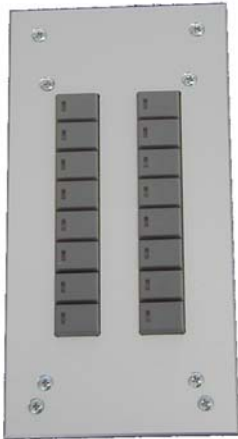
AVAB I/O-APN (part no.423-560)

This card has 8 analogue inputs, 8 digital inputs and 8 digital outputs.
Can be used in a Safari or Pronto! System



AVAB APN Panel 16 (part no.422-283)

This panel has 16 programmable buttons and LEDs.
Can be used in a Safari or Pronto! System



AVAB APN Panel 8 (part no.422-285)

This panel has 8 programmable buttons and LEDs.
Can be used in a Safari or Pronto! System

